



TSC Series

Miniature Split Core Current Transformer



TAIK ELECTRIC
Metering Solutions

Miniature Split Core Current Transformer

Advantages

- Quick installation without interrupting supply
- Compact size for monitoring more branch loads
- Compatible with the portable electricity monitoring devices

Applications

- Current measurement
- Electrical parameter measurements
- Sub-metering or multi-branch circuit meter
- Control system

Features

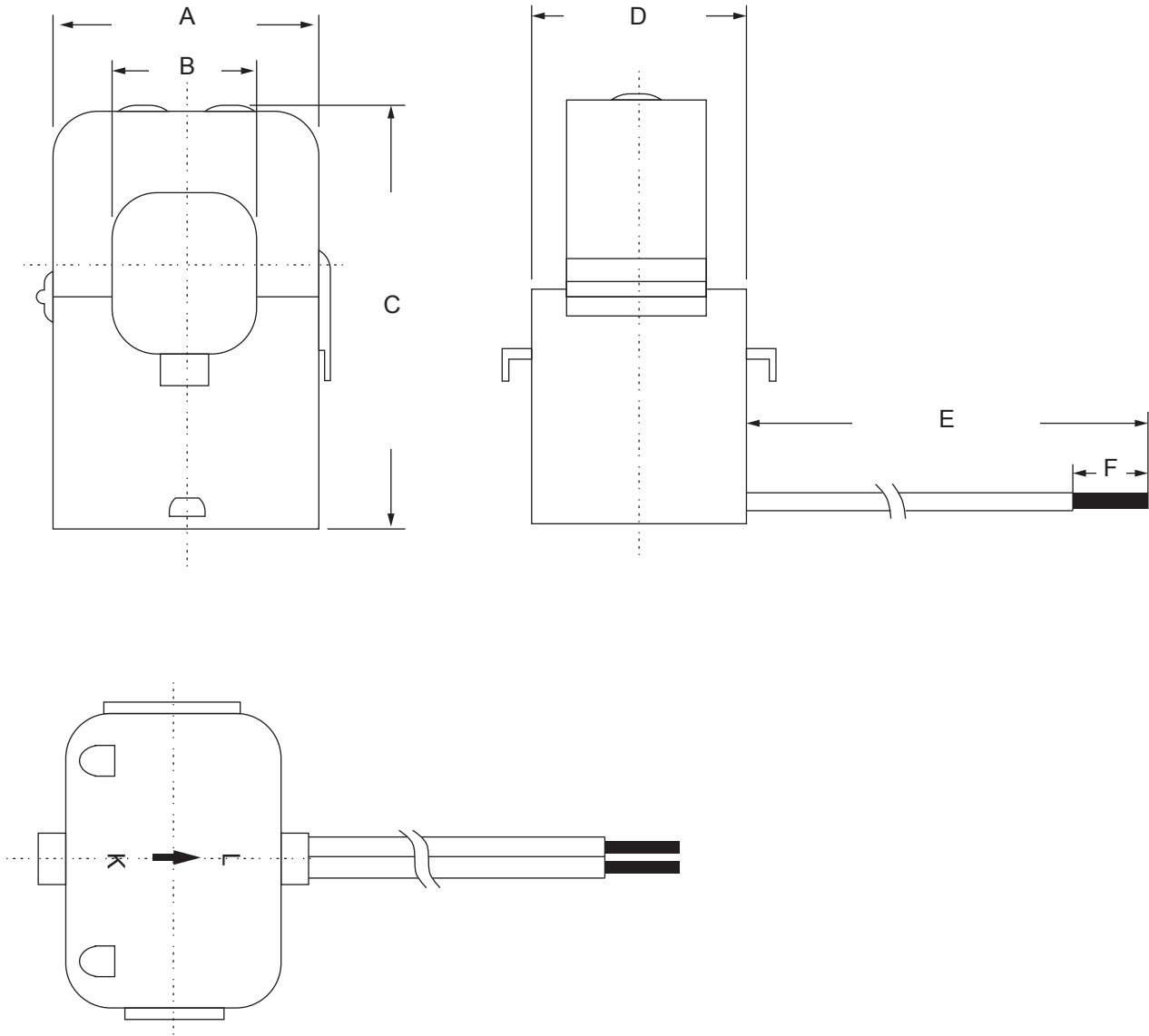
	TSC-024	TSC-036	TSC-016
Primary current (AC)	100A,150A,200A 250A,300A	150A,200A,250A,300A 400A,500A,600A,800A	5A
Secondary output (AC)	5(standard) or 1 A	5(standard) or 1 A	20mA or 1.66mA
Inner diameter (mm)	23.8 ±0.3	35.7 ±0.3	15.7 ±0.3
Output integral cable (M)	2	2	2
Option:5M or longer			
Output integral cable flow direction K & L	K: White L: Black	K: Red L: Black	K: Black L: White
Accuracy class (%)	100A,150A - Class 2 200A,250A - Class 1 300A - Class 0.5	150A,200A - Class 2 250A,300A - Class 1 400A,500A,600A,800A - Class 0.5	20mA - Class 2 1.66mA - Class 0.5

Specifications

Dielectric strength	AC 2KV 1min, AC 2.5KV 5 sec
Insulation resistance	DC 500V 100M Ω/min
Short time thermal current (I _{th})	≤40 x I _{pr} (rated primary current) for 1 sec
Continuous over current (I _{cth})	1.2 x rated current
Dynamic current (I _{dyn})	2.5 x I _{th}
Rated frequency	50-400Hz
Operating temperature	-40 - 70°C
Storage temperature	-45 - 85°C
Humidity	≤ 90% non condensing
Housing material	PP, Fire resistant UL94-V0
Protection degree	IP 30, IEC/EN 60529
Core	Ferrite
Magnet wire	2UEW
Lead wire	UL1015 22#AWG,PVC 105°C 600V
Tap material	PET
Standard compliance	ANSI C57.13,ANSI C12.20,IEC/EN61869-2,IEC 60044-1
Weight	TSC-024 (260g±10g), TSC-036 (295g±10g), TSC-016 (100g±10g)



Dimensions (mm)



	A	B	C	D	E	F
TSC-024	45 ±0.5	23.8 ±0.3	65.5 ±0.5	34.4 ±0.5	2000 ±50	10 ±1
TSC-036	57 ±0.5	35.7 ±0.3	81.5 ±0.5	38.4 ±0.5	2000 ±50	10 ±1
TSC-016	29 ±0.5	15.7 ±0.3	46.5 ±0.5	32.4 ±0.5	2000 ±50	10 ±1



Ordering Code

TSC-024 - □□□ - □□ - □□ - □

Primary (A)			
100	100		
150	150		
200	200		
250	250		
300	300		
Option	000		
Secondary output (A)			
5A		05	
1A		01	
Option		00	
Accuracy class			
2			C2
1			C1
0.5			C0
Option			00
Output integral cable (M)			
2			2
5			5
Option			0

TSC-036 - □□□ - □□ - □□ - □

Primary (A)			
150	150		
200	200		
250	250		
300	300		
400	400		
500	500		
600	600		
800	800		
Option	000		
Secondary output (A)			
5A		05	
1A		01	
Option		00	
Accuracy class			
2			C2
1			C1
0.5			C0
Option			00
Output integral cable (M)			
2			2
5			5
Option			0

TSC-016 - □□□ - □□ - □□ - □

Primary (A)			
5	005		
Secondary output (mA)			
20		020	
1.666		016	
Option		000	
Accuracy class			
2			C2
0.5			C0
Option			00
Output integral cable (M)			
2			2
5			5
Option			0



TAIK ELECTRIC CO., LTD.

4TH FL., NO. 5, ALLEY 11, LANE 327, CHUNGSHAN RD.,
 SEC. 2, CHUNGHE DISTRICT, NEW TAIPEI CITY, TAIWAN, R.O.C.
 TEL:(02)2242-6825 http://www.taik.com.tw
 FAX:(02)2242-6827 E-mail: taikco@ms15.hinet.net



ISO 9001: 2015 Certified
 FM 40649

